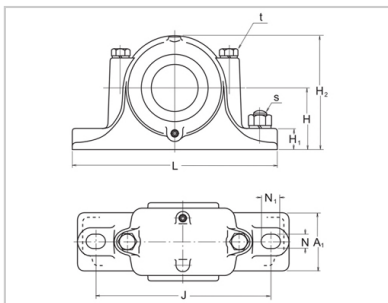
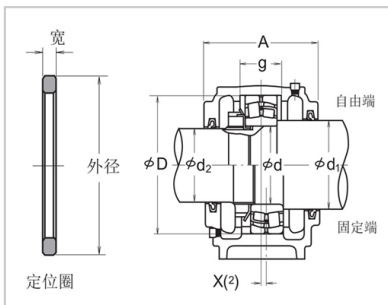


Vertical self-aligning Bearing With Seat

Reducing type, sn2c type, sn3c type-**SN307C**



| | |
|---------|--------|
| model : | SN307C |
| d : | 35 |

Dimension (mm) :

| | |
|------|------|
| d1 : | 45 |
| d2 : | 30 |
| D : | 80 |
| H : | 60 |
| J : | 170 |
| N : | 15 |
| N1 : | 20 |
| A : | 90 |
| L : | 205 |
| A1 : | 60 |
| H1 : | 25 |
| H2 : | 110 |
| g : | 41 |
| t : | M 10 |
| s : | M 12 |

| | |
|-----------------------|-----|
| reference resources : | 2.6 |
|-----------------------|-----|

Applicable parts :

| | |
|------------------------------|---------|
| Self aligning ball bearing : | 1307 |
| Rated dynamic load Cr (n) : | 25300 |
| Spherical Roller Bearings : | 21307E |
| Rated dynamic load Cr (n) : | 71500 |
| Nut : | AN07 |
| Washer : | AW 07 × |

Locating ring : SR 80 × 10

number : 2

oil seal :

D1 end : GS 10

D2 end : GS 7

: